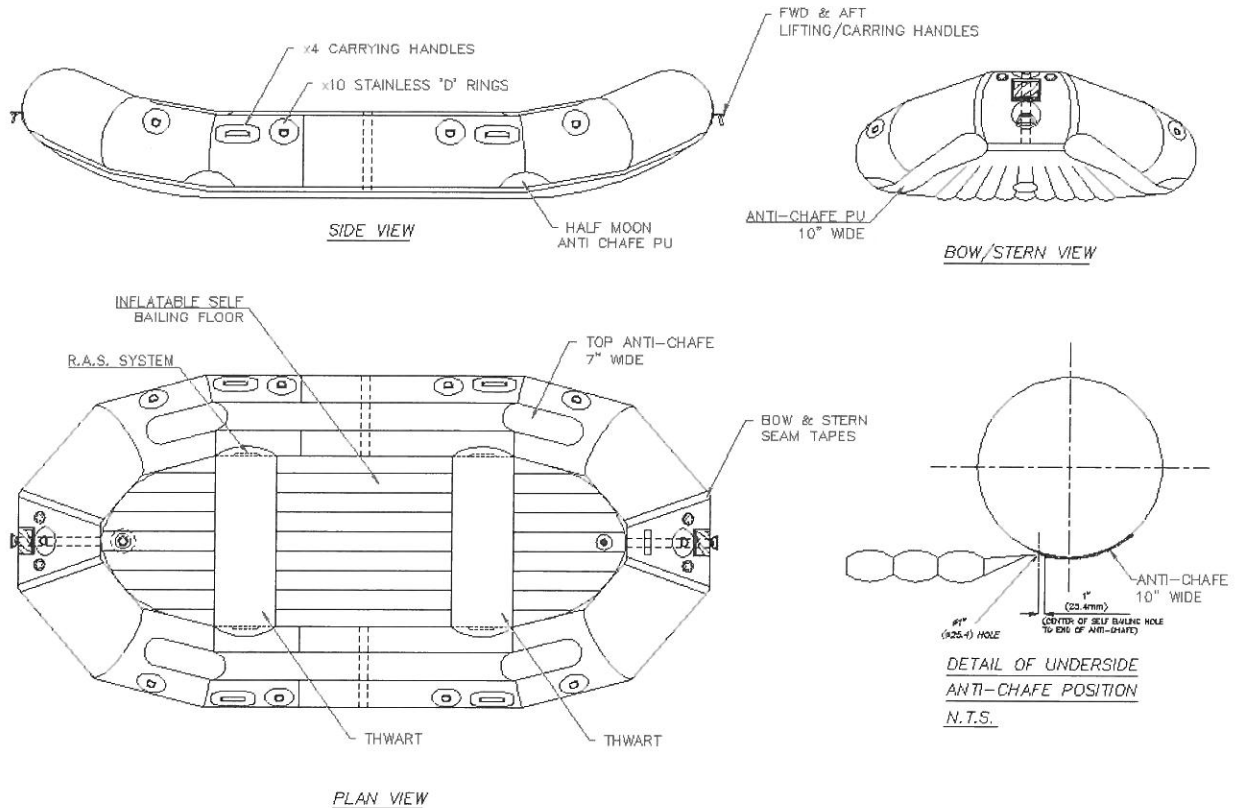


**ZODIAC MILPRO UAB®
ADVENTURER**

P/N V30730
Rev 1 – 11/2012
TECHNICAL DATA SHEET



STANDARD EQUIPMENT

- I-beam style inflatable floor
- Chafe strip
- Low Profile valves
- Heavy duty side lift handles
- Reinforced stainless D-rings
- Tough, high-impact nylon bow/stern lift handles
- Thwart RAS (Rapid Attachment System™)

All seams on buoyancy tubes are internally sealed.

All ZODIAC MILPRO UAB® Riverboats are in RDC Design Category 'D' and Standards 'ISO 6185'

The overall appearances of the watercraft described in this document are trademarks of ZODIAC MILPRO.

PRODUCT DETAILS**BUOYANCY TUBE**

	QTY:
• Fabric: Neoprene/CSM 1670 Decitex Navy Grey	-
• Top anti-chafe: Neoprene/CSM 1100 Decitex Military Grey	2
• Carrying handles	4
• Bow & Stern Lift handle	2
• Stainless 'D' Rings	10
• Underside anti-chafe 1670 Decitex TPU Black	2
• Leaffield Inflation/Deflation C7 valves	4

TWARTS

2

FLOOR

• Leaffield Inflation/Deflation C7 valve	1
• Leaffield A6 Relief valve	1
• Self-bailing	Yes

CAPACITY TO ISO6185 / PART 1

	IMPERIAL	METRIC
• Maximum number of persons	9	9
• Maximum load	2000lbs	909kg
• Chambers	4 + 1 + 2	4 + 1 + 2

DIMENSIONS

• LOA	14' 2"	4.32m
• Inside length	10' 9"	3.28m
• Overall width	7' 1"	2.16m
• Inside width	44"	1.12m
• Buoyancy tube diameter (max.)	20"	0.508m
• Thwart diameter	15"	0.381m
• Weight	151lbs	68kg
• Kick/Rocker (Bow/Stern)	31"	0.790m

OTHER COLOR OPTIONS AVAILABLE:**(Navy Grey, Army Green, Red, Blue, Yellow, Military Grey, Orange, Black, Grey)****PLEASE ASK FOR DETAILS.****Minimum order quantities may apply.**

THIS MATERIAL CONTAINS PROPRIETARY DATA BELONGING TO ZODIAC MILPRO. UNAUTHORIZED DISCLOSURE, USE OR REPRODUCTION WILL RESULT IN LIABILITY. ZODIAC MILPRO RESERVES THE RIGHT TO CHANGE THE SPECIFICATIONS OF THIS TECHNICAL DATA SHEET WITHOUT NOTICE.

Dimensions and weight + or - 3 % (5% on prototype)

page 2 / 2**ZODIAC OF NORTH AMERICA**

540 Thompson Creek Road, Stevensville, MD 21666

<http://www.zodiacmilpro.com>